

LOAD CENTER
VOLTAGE: 240/120V
SERVICE FEEDER SIZE: 2-#4/O & 1-#2 AL

Circuit No.	Circuit Breakers Poles	Amps	200 AMP Main Service Breaker	Wiring No./Size
1,3	2	50	220 Volt Outlet (Welder)	3 - #6
2,4	2	30	220 Volt Outlet (Air compressor)	3 - #10
5,7	2	30	Spare Breaker	3 - #12
6,8	2	30	Water Heater	3 - #10
9,11	2	40	HVAC Outside Unit	3 - #8
10,12	2	60	HVAC Inside Air Handler Heat Strips	
13,15	2	30	HVAC Inside Air Handler Unit	
14	2	20	Shop Receptacles w/ GFI protection	3 - #12
16	2	20	Shop Receptacles w/ GFI protection	3 - #12
17	1	20	Work Shop General Lighting	3 - #12
18	1	20	Exit Lighting	3 - #12
19	1	20	Utility GFI Receptacles	3 - #12
20	1	20	Office, Restroom, Mech Lighting & Washer recept	3 - #12
21	1	20	Implement Storage Lighting	3 - #12
22	1	20	Implement Storage Receptacles	3 - #12
23	1	20	Implement Storage Receptacles	3 - #12
24	1	20	Office Receptacles	3 - #12
25	1	20	Office Receptacles	3 - #12
26	1	20	Break, Restroom GFI Receptacles	3 - #12
27	1	20	Mechanical Room GFI Receptacle/ Microwave	3 - #12
28	1	20	Shop Exterior GFI Receptacle	3 - #12
29	1	20	Septic Tank alarm	3 - #12
30,32	2	30	Mechanical room Dryer receptacle	3 - #10
31	1	20	Garage door openers	3 - #12
33	1	20	Spare Breaker	
34	1	20	Spare Breaker	
35	1	20	Spare Breaker	
36-42			Spare Spaces	

* Match receptacle to welder

ELECTRICAL WIRING SYMBOLS

- ⊖ GFI Receptacle
- ⊕ Duplex Outlet, Split Circuit
- ⊖ Duplex Outlet
- ⊖ 50 Amp, 220 Volt Outlet
- ⊖ 30 Amp, 220 Volt Outlet
- ⊖ 30 Amp, 220 Volt Outlet (Dryer)
- ⊖ Home Run / Circuit #
- ⊖ Water Heater
- ⊖ Telecommunications Outlet
- ⊖ Junction Box
- ⊖ Photo Cell
- ⊖ Exit lighting w/ batteries
- ⊖ Switch
- ⊖ Switch, 3 Way
- ⊖ Switch, 4 Way
- ⊖ Pressure Switch
- ⊖ Water Pump

RECEPTACLE & SWITCH MOUNTING HEIGHTS

Microwave	66"
Washer	36"
Dryer	36"
Office Receptacles and Telephone	18"
All switches and other receptacles	48"

MARK	QTY	LIGHTING SCHEDULE	MODEL
A	0	16.75" x 4" Surface Mount, 4 Lamp Elec Ballast, 15	LITHONIA 58452MVOLTCEPI015
B	4	2' x 4' LED Panel	SIMKAR LDP245QL40U1
C	11	15.25" x 22" 4 LAMP LED HIGH BAY	LITHONIA I8H1500CLM58080 MD OZIO 40K 80 CRI
D	1	2' Integrated LED wall mount vanity light (25 watt)	LITHONIA FMY19L3000K
E	3	Security motion, Wall Mount / Outside Unit	HEATH ZENITH SL-5650-BZ
F	3	Exit & Emergency combo light w/ batteries & remote head	LITHONIA ECRLEDPHO M6 w/ ELA LED WP MIZ

Quotes for lighting fixtures can be provided by Gene Grassel @ 717-986-9558

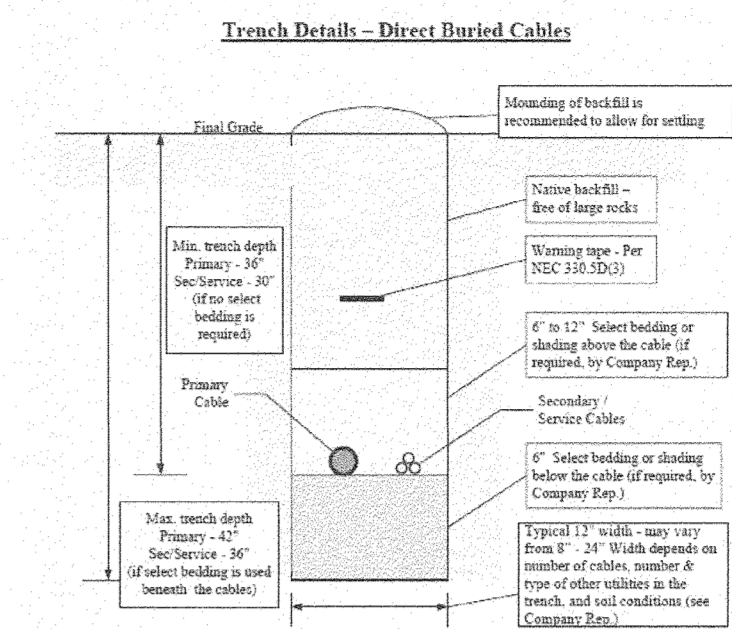
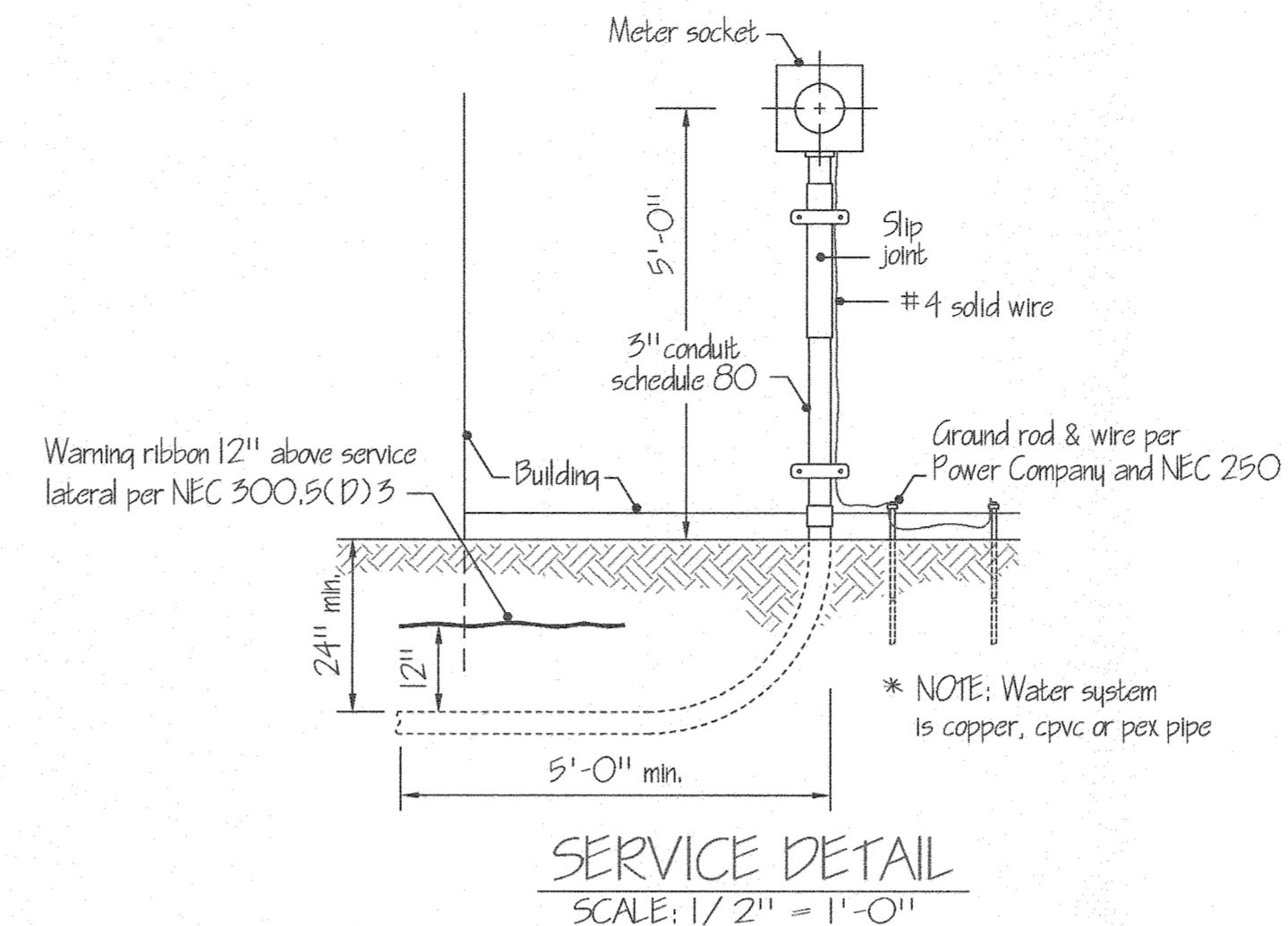


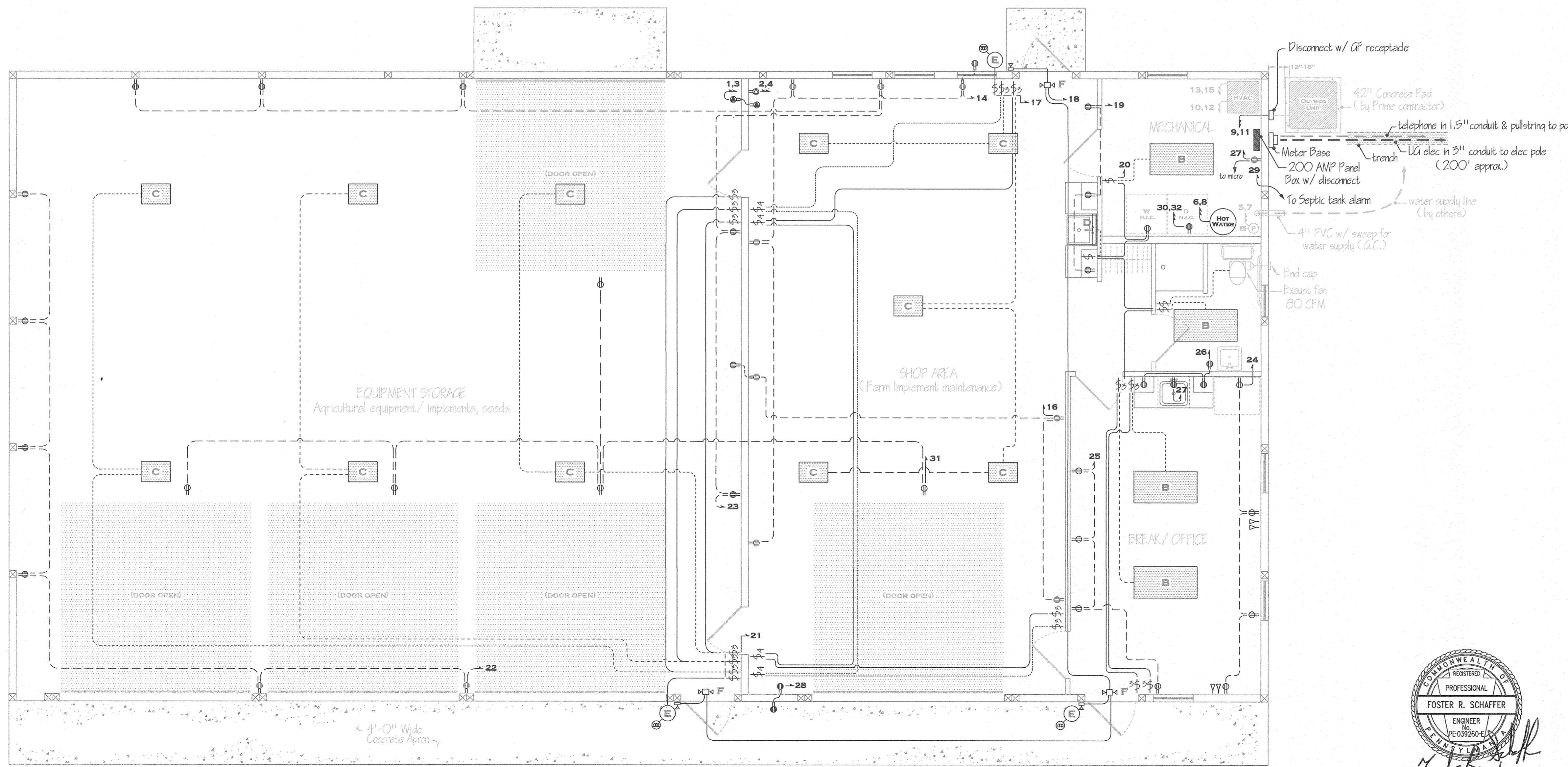
TABLE - MINIMUM COVER REQUIRED PER CODE (INCHES)

Utility / Code	Direct Buried	Customer Installed Facilities - NEC (1)	Company - NEC
Voltage (kV-D)	Direct Buried	Rigid Nonmetallic Conduit (RNC)	Rigid / Rigid Conduit (RNC)
0 - 600 V	24	6	24
600 V - 22 kV	30	6	30
> 22 kV - 49 kV	36	6	36

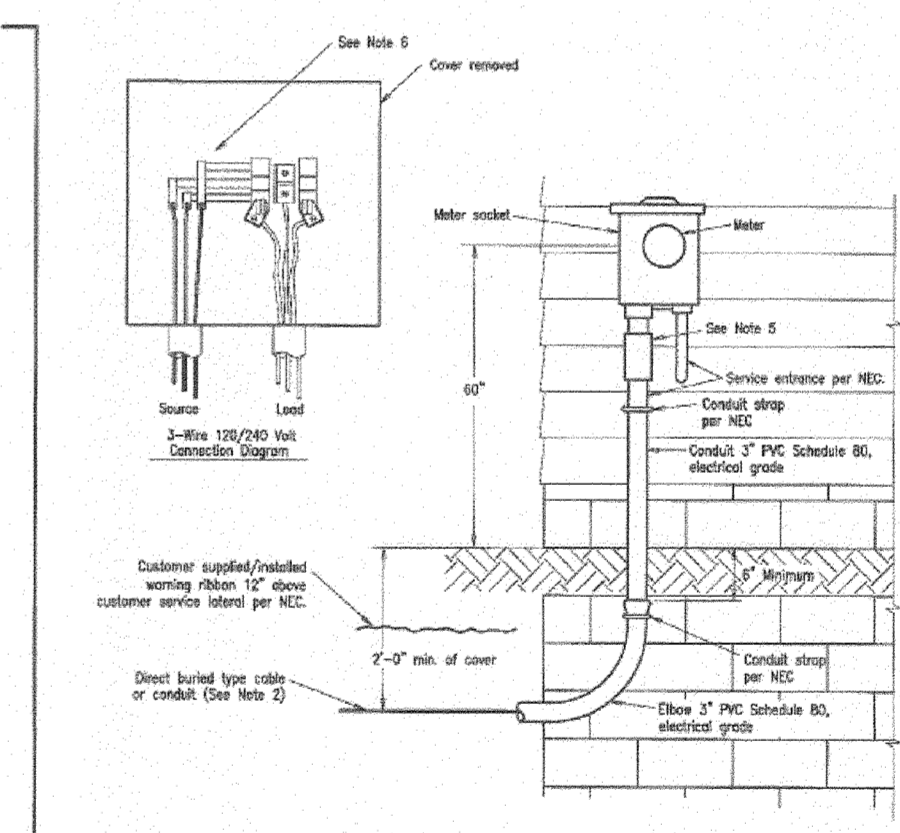
Notes: (1) NEC typically requires an additional 6 inches of cover to allow for variation in final grade.
(2) For cables located beneath roads under Penn DOT jurisdiction, cables must be installed in conduit and have a minimum of 36 inches of cover.

TRENCH DETAILS FOR DIRECT BURIED CABLES

FirstEnergy
Service Guide
EXHIBIT 23



PLAN VIEW
SCALE: 1/4" = 1'-0"

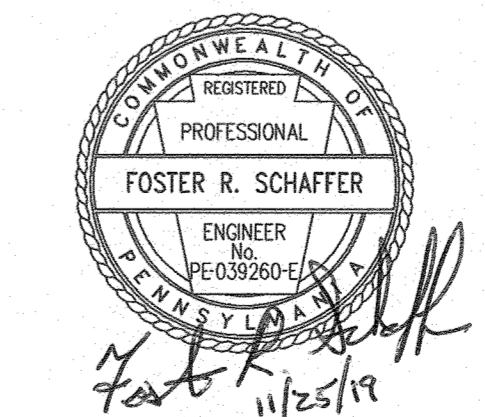


NOTES:

- For customer/Company responsibilities, see Exhibit 1.
- For trenching and conduit details, see Exhibit 24.
- See Section 6.0 for underground service details.
- Meter socket may be connected to external ground rods, if required by the local inspection authorities.
- The customer shall provide a well tamped and firm trench (see Exhibit 24). The customer shall provide ground movement protection per NEC 300.5(1) to prevent damage due to settlement or frost heaves. The Company recommends that the customer use a slip-joint conduit product. Additionally, sufficient slack on a slack box should be provided by the customer to allow for cable movement. For a 3-inch slip joint, conduit installation, the Company recommends that the customer install a slip joint with an attached slack box.
- Side-bowed meter socket only.

TYPICAL SINGLE-PHASE UNDERGROUND SERVICE LATERAL INSTALLATION
400 AMP OR LESS

FirstEnergy
Service Guide
EXHIBIT 8



PENNSYLVANIA GAME COMMISSION

STATE GAME LANDS #522 CHERRYHILL TWP. INDIANA CO.

ELECTRIC DETAILS

REVISIONS	PROJECT NO.	PGC-248-19-2
	DRAWING NO.	248-ELECTRIC-3
	DRAWN BY:	JBM
	DATE:	11-25-19
	SHEET NO.	3 OF 5